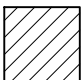


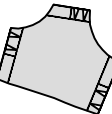



- KEY:**
-  Existing footway crossing to remain
  -  Proposed 'SLOW' road marking
  -  Proposed location of speed cushions
  -  Proposed speed table
  -  Proposed 'Humps' sign

**Sunderland City Council**

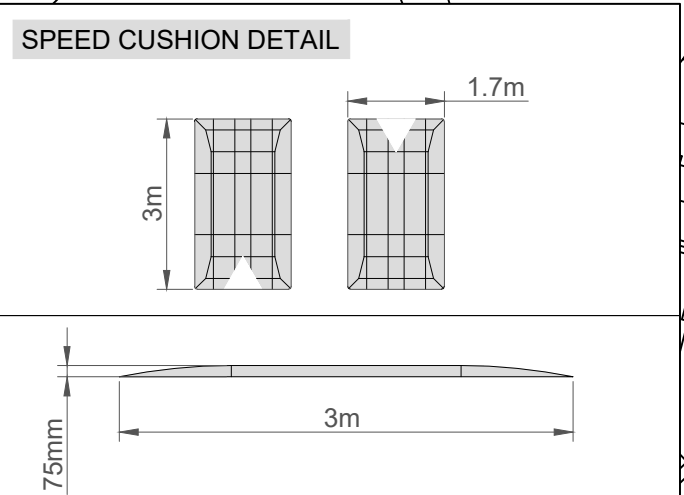
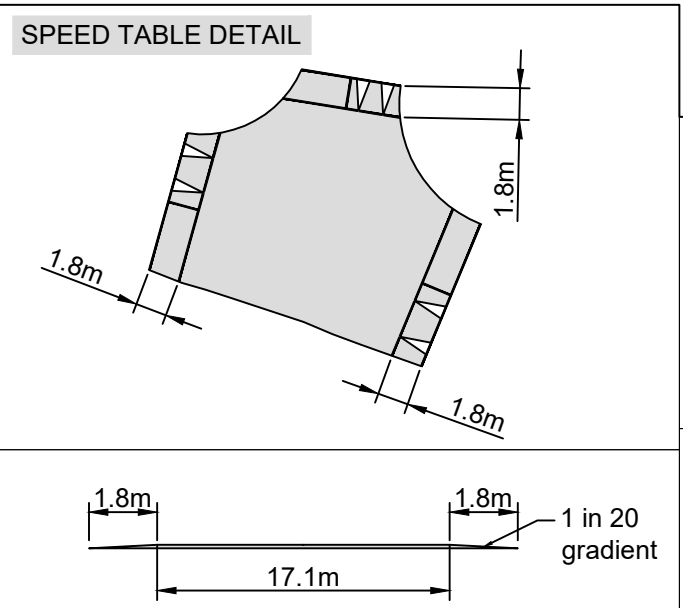
**City Development Directorate  
Civic Centre  
Sunderland  
SR2 7DN**

Project **North Road, Hetton**

Subject **Proposed Traffic Calming  
Additional Speed Cushions**

Contact	C. Smith	Approved by	S. Dixon
Drawn by	C. Smith	Sheet size	A3
Scale	NTS	Date	Feb 2021

Drawing No. **IC/21/NRH/TC/PROP/ENG/002** Revisions **--**



Reproduced from/based upon the Ordnance Survey mapping with permission of the Controller of Her Majesty's Stationery Office. Unauthorised reproduction infringes Crown copyright and may lead to prosecution or civil proceedings. © Crown copyright and database rights 2019. Ordnance Survey LA 100049055